

MonCaso312 PRODUCT GUIDE



Ver 1.0

Please read this manual carefully before system installations.

MonCaso 312

Product Guide

MONEUAL®

Before reading the User Guide

Make sure to check the followings before reading this User Guide.

| Introduction to User Guide

- User Guide is provided with this product. This manual helps you to use the computer more easily and conveniently.
- Make sure to fully understand this manual before connecting the cable. Inaccurate cable connection may cause a fire due to short-circuit.
- This manual explains major functions and effective methods to use the computer.

| Notice

- Some devices and software stipulated in this User Guide may not be provided or may be different such as version revision depending on manufacturer's specification.
- Some users' computer environments may not be matched with the one described in this User Guide.
- Images used for User Guide cover and contents may be different from the actual product.
- Figures are based on Windows Vista and may be different from the images of the user's computer.
- Type of User Guide may be different depending on model.

MonCaso312 series product guide

Manual Rev: 1.0

Release Date: November. 2008

Revision	Revision History	Date.
V 1.0		November. 2008

Contents

 1 Starting PC	5
• Features & Functions	6
• Safety Tips	7
• Disassembly Diagram	9
• Product Specification	10
• Product Contents	11
• Part Name	12
 2 Using PC	13
• Assembly Instructions	
Top Cover & Bracket Disassembly	14
Motherboard & ATX Power Assembly	15
Cable Connection	16
HDD & ODD Drive Assembly	17
Top Cover & ODD Bezel Assembly	18
• Multi-Card Reader	
Using memory card	19
• MCE Remote Controller	20
• Service Notice	22

1

STARTING PC

Features & Functions

Safety Tips

Disassembly Diagram

Product Specification

Product Contents

Part Name



1. STARTING PC

Features & Functions

**Aluminium Body**

The most advanced audio type design ideal for living rooms.

100% aluminum body and cut-processed buttons improve stylish design.

Audio stand for hi-end audio and hairline inside/outside of design enhance luxuriousness and elegance.

**Media Center**

Various media such as movie, music, photo and Internet radio as well as convenient media devices such as DVD, TV, Digital Camcorder and Digital Camera are easily and conveniently available.

**Remote Control**

Simple control is possible through remote control.

**Continual Airflow**

Vent hole for heat sink reduces PC temperature.

MonCaso312

It is the best solution to deploy home entertainment environment.



Safety Tips



Safety tips are intended to guarantee user's safety and prevent any financial damages. Make sure to fully understand safety tips and use the product properly.



Do not use loose outlets or damaged power cords.
They may cause electric shock and fire.



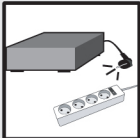
Use the appropriate rated voltage in accordance with product specification.
Excessive voltage may cause product damage or electric shock.



Do not put any foreign materials into ventilators for heat sink.
Foreign materials put in ventilators may increase internal temperature of the product, causing noise or fire.



Be careful not to damage power cords.
Strongly bending power cords and putting heavy objects on power cords may cause malfunction or damage. Moreover, pay special attention for children or pets not to damage power cords.



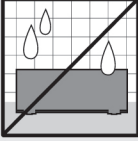
For product disassembly, make sure to stop the system and disconnect cords first.
Product disassembly or upgrade when power is ON may cause product damage or electric shock.



Do not keep medicines, glasses full of water and containers near the product.
Inserting water into the computer may cause product damage, electric shock or fire.

1. STARTING PC

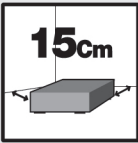
Safety Tips

**Do not install the PC in high humid places such as bathrooms.**

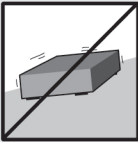
Installation in high humid places may cause malfunction or electric shock. Make sure to use the PC in appropriate temperature/humid (5°C ~35°C /30%~80%).

**Safely and appropriately dispose of moisture proof papers or plastic bags.**

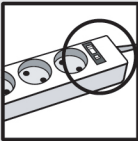
Children who eat moisture proof papers or put plastic bags on their heads may be get choked.

**Do not place any disturbance within 15cm around the PC.**

Internal temperature of the product may increase and cause a fire.

**Do not install or use for long hours in sloping or high-vibration areas.**

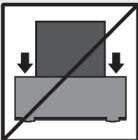
It may cause malfunction or product damage.

**Plug into multi-outlets and outlets with grounding terminal.**

Non-grounded outlets may cause electric shock or product breakdown.

**Do not touch power cords with wet hands.**

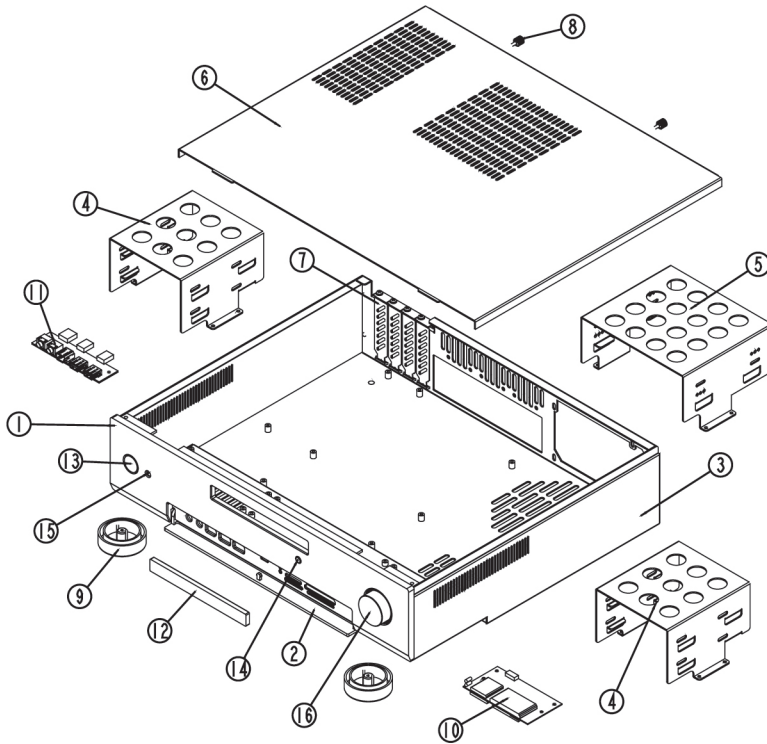
It may cause electric shock.

**Do not put heavy objects on the product.**

It may cause product breakdown. Heavy products may drop and cause damages and injuries on users and the product itself.

Disassembly Diagram

Be sure to check contents before using the product.



- | | | | |
|----------------|---------------|------------------|----------------------------|
| ① Front Panel | ⑤ ODD Bracket | ⑨ Top Cover | ⑬ Power Button |
| ② Door | ⑥ Top Cover | ⑩ Card Reader | ⑭ ODD Open/Close Button |
| ③ Body Chassis | ⑦ Slot Guide | ⑪ Front I/O Port | ⑮ IR Receiver |
| ④ HDD Bracket | ⑧ Hand Screw | ⑫ ODD Bezel | ⑯ Volume Control/Mute Knob |

• This disassembly diagram varies depending on manufacturer's specification and may be different from the above figure.

1. STARTING PC

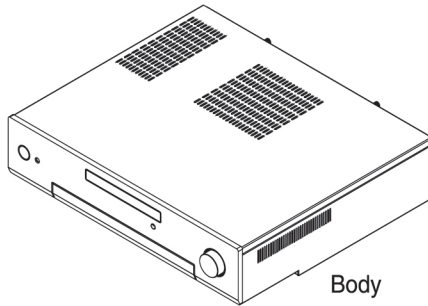
Product Specification

The specification is subject to change depending on manufacturer's specification without prior notice.

Case Type	Desk Top	
Case Size	369mm x 435mm x 93mm (14.53" x 17.13" x 3.66") in.	
Weight	5.2kg (2.36 lb)	
Material	Aluminum	
Motherboard Support	micro ATX	
Power Support	Standard ATX	
Graphic Card	Low Profile Type	
5.25" Bay	1 x 5.25" External Drive Bay	
3.25" Bay	4 x 3.5" Internal Drive Bays	
Extension Slot	7	
Fan Slot	3 (Rear: 40*40mm)	
Basic Pan	Option	
Front I/O Port	2 x USB Ports, 1 x IEEE1394(Firewire) Port, 1 x Microphone, 1 x Headphones	
Case Color	Silver / Black	
Card Reader(7IN1) SDHC Support	Compatible cards	CF(I/II), Micro Drive, SmartMedia, MultiMedia, SecureDigital and Memory stick.
	Compatible OS	Microsoft windows 98/ME/2000/XP
	Host interface	USB 2.0 ports
	Power Supply	DC 5V +/-5%, through USB port

Product Contents

Be sure to check contents before using the product.



Body

Case Parts



Washer Head



No.6/32*5L



ODD Bezel



Hand Screw



User Guide

MCE Remote Controller Parts



MCE Control Board



Power 24pin Cable

Option



Wireless
Keyboard



USB
Receiver



USB
Extension
Cable



Battery

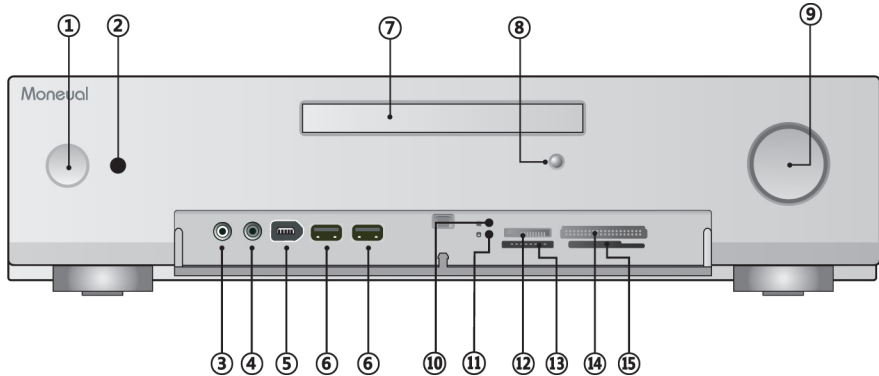


Wireless
Keyboard
Driver CD

- Basic contents vary depending on model and may be different from the above figure.

1. STARTING PC

Part Name



- | | |
|--|---|
| <p>① Power Button
• Turn on/off the product.</p> <p>② Hard Disk LED/IR Receiver
• Displays operating status of hard disk.
• IR receiving sensor of remote control.</p> <p>③ MIC Jack
• Used to connect to microphone.</p> <p>④ Headphone Jack
• Used to connect to headphone.</p> <p>⑤ 1394 Port
• Used to connect to 1394 device.</p> <p>⑥ USB 2.0 Port
• Used to connect to USB device.</p> <p>⑦ ODD Bezel
• Aluminum ODD bezel (separately provided)</p> <p>⑧ ODD Open/Close Button
• Open/Close ODD.</p> | <p>⑨ Volume Control/Mute Knob
• Mute and volume adjustment</p> <p>⑩ Multi-Card Reader Power Lamp
• Displays power status of multi-card reader.</p> <p>⑪ Multi-Card Reader Status Lamp
• Displays operating status of multi-card reader.</p> <p>⑫ MS/MS Pro Slot
• Memory Stick/Memory Stick Pro Slot</p> <p>⑬ SD/MMC Slot
• Secure Digital/Multi-Media Card Slot</p> <p>⑭ CF/MD Slot
• Compact Flash/Micro Driver Slot</p> <p>⑮ SMC Slot
• Smart Media Card Slot</p> |
|--|---|

Using PC

2

Assembly Instructions

Top Cover & Bracket Disassembly
Motherboard & ATX Power Assembly
Cable Connection
HDD & ODD Drive Assembly
Top Cover & ODD Bezel Assembly

Multi-Card Reader

Using memory card

MCE Remote Controller

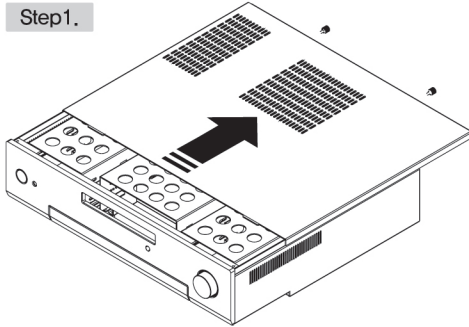


2. USING PC

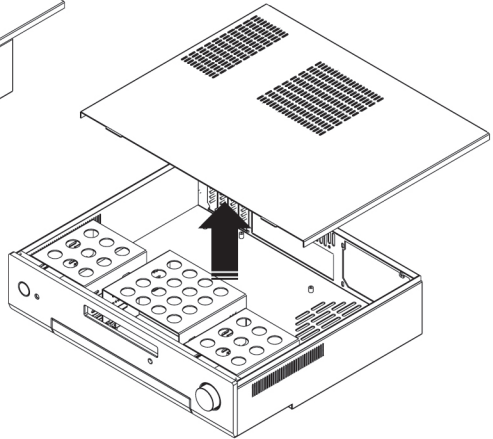
Assembly Instructions

● Top Cover & Bracket Disassembly

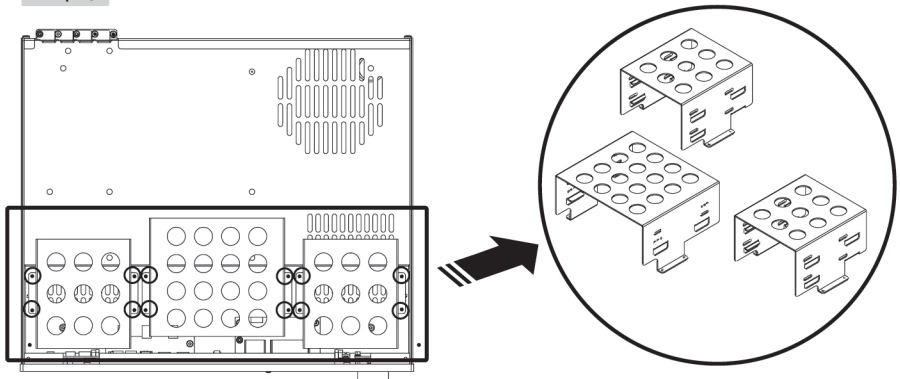
Step1.



Step2.



Step3.

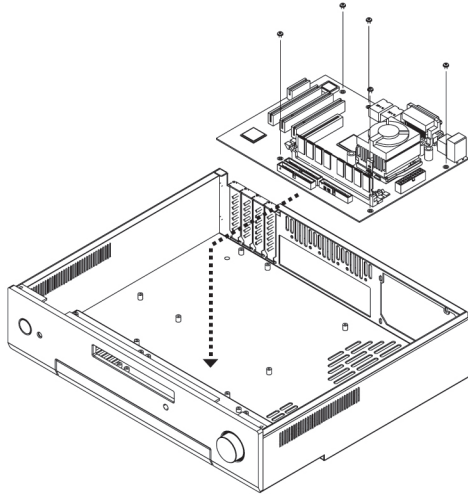
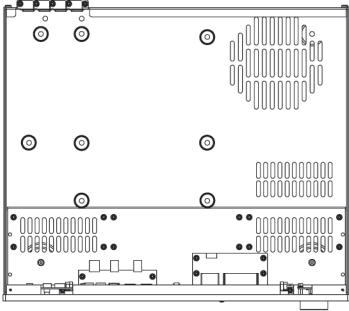


- Disassemble the hand screw and detach the top cover as shown in Step1. / Step2.
- Disassemble the screw in Step3 and detach each bracket.

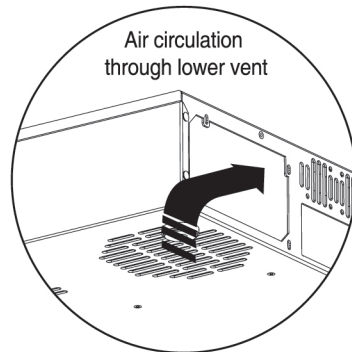
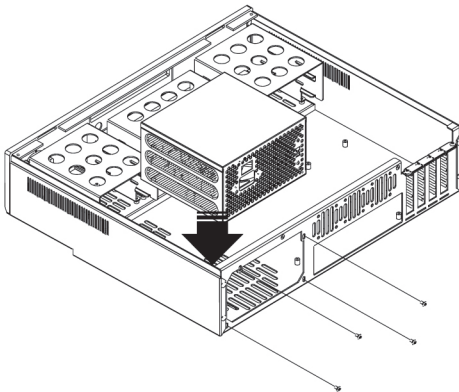
Assembly Instructions

● Motherboard & ATX Power Assembly

Step1.



Step2.

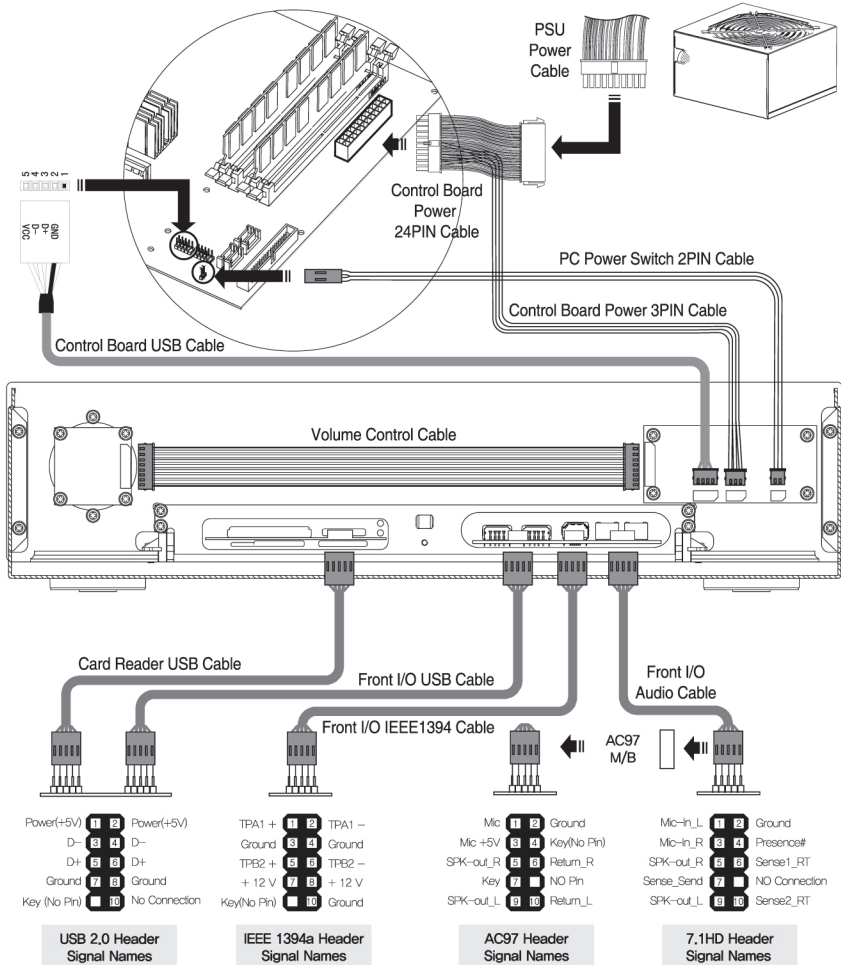


- Assemble the motherboard as shown in Step1.
- Assemble ATX power so that its fan points to the lower part as shown in Step2.

2. USING PC

Assembly Instructions

● Cable Connection

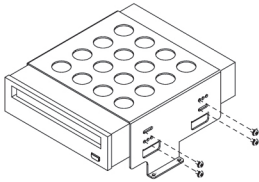


- Connect each cable as shown in the figure.
- Pay special attention to connection direction in connecting cables because there may be damages in parts.

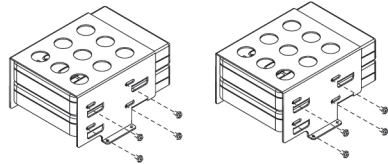
Assembly Instructions

● HDD & ODD Drive Assembly

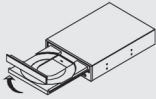
Step1.



Step2.



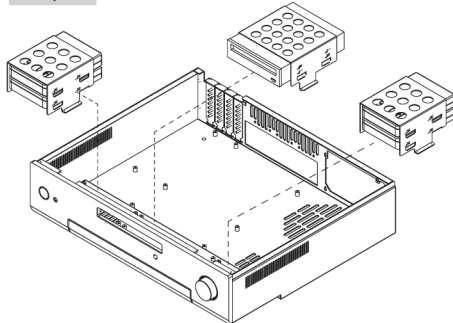
Tip. ODD Bezel Disassembly



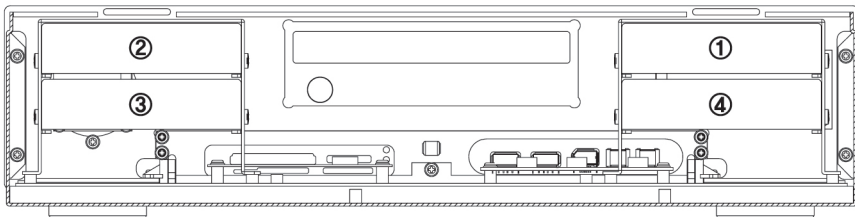
1. Push the small hole of ODD front panel using clip to pull out ODD tray manually.
2. Pull up the lower part of bezel for detachment.

* Strong force may cause product damage.
When disassembly is not performed easily, contact the ODD manufacturer.

Step3.



※ Recommendation for HDD Drive Installation



For ④, SATA cable and HDD drive cause interference. Use "ㄣ" shaped SATA cable for connection.

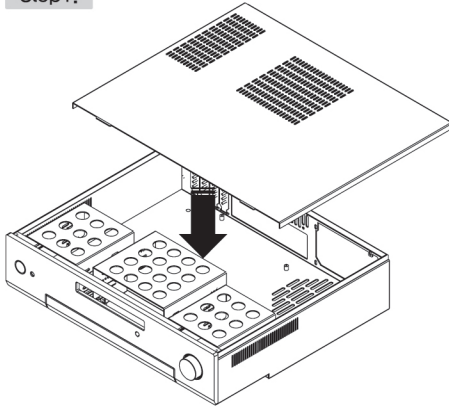
Caution : It may be impossible to install HDD in ③ & ④ due to interference of other cables.

2. USING PC

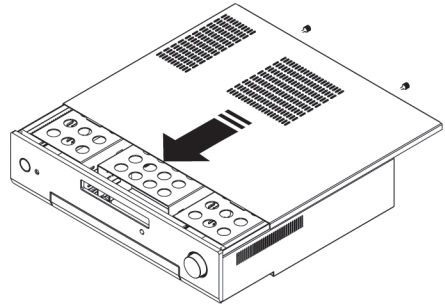
Assembly Instructions

● Top Cover & ODD Bezel Assembly

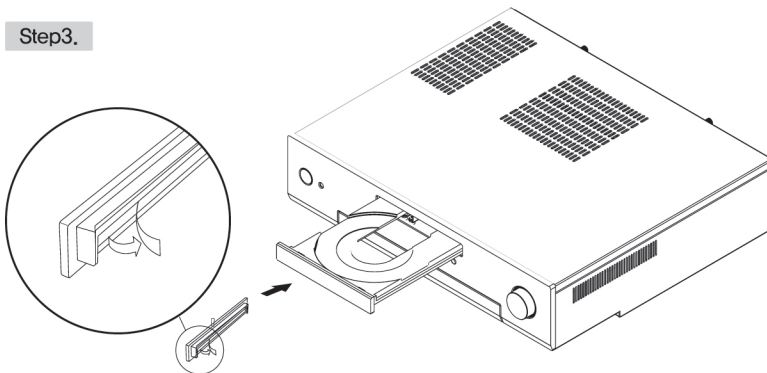
Step1.



Step2.



Step3.



Note.

- * For Plastic ODD Bezel disassembly, refer to P17.
- * When it is difficult to detach the Plastic ODD Bezel, contact the ODD manufacturer instead of putting strong force.

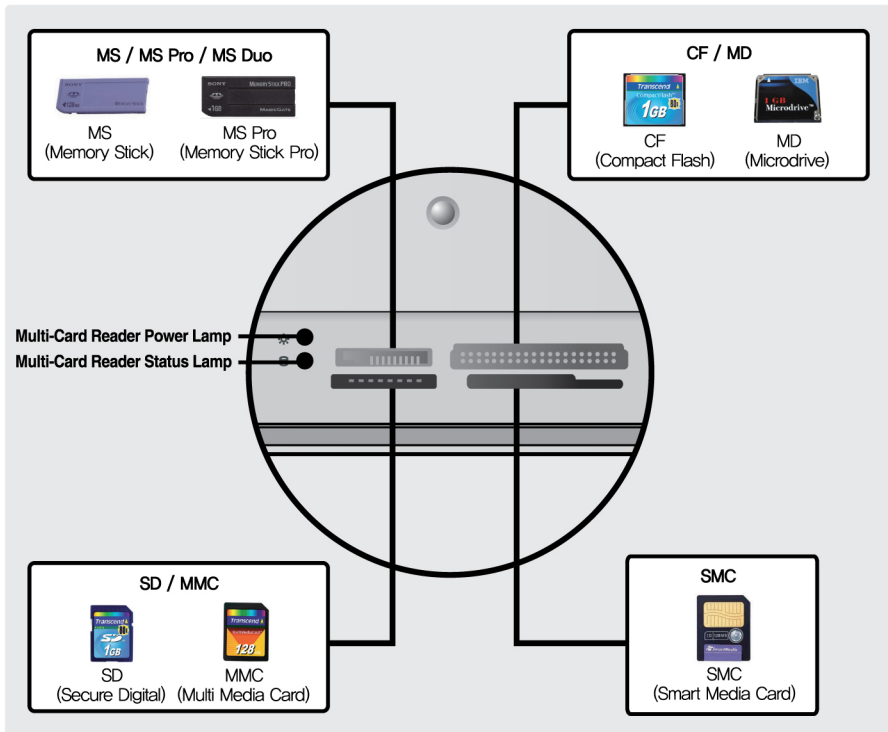
-
- As shown in Step1 → Step2, assemble the top cover and fix it using hand screw.
 - Step3. After installing a computer and connecting to power, press the ODD button to pull out ODD tray. Remove the tape attached to the rear panel of aluminum ODD bezel and perform assembly carefully.

Multi-Card Reader

● Using memory card

Multi-card reader is a mobile storage device which consists of a total of four slots. Various memory cards are available. Since each slot is marked with available card type, make sure to check card type before inserting a card.

- Users must purchase memory cards additionally depending on necessary capacity.
- Memory Stick Duo, Mini SD, RS-MMC, Micro SD(T-Flash) and MMC Micro cards are so small to be directly inserted into multi-slots. Therefore, attach them to their dedicated adapters and then insert the dedicated adapters into multi-card slots.



- Specification of multi-card reader is subject to change without prior notice.

2. USING PC

MCE Remote Controller



● AV&Power Button

VOL	Adjust volume.	
CH/PG	Change channel.	
MUTE	Mute button. Press once again to return to the original sound.	
GUIDE	Move to the Guide Window.	
LIVE TV	Control live TV replay.	
DVD MENU	Show DVD menu.	
RECORDED TV	Move to TV Record menu.	
POWER	Turn on/off power.	

● AV&Power Button

START	When media center is started or has already been operating, move to the START menu.	
UP	Move to Up.	
DOWN	Move to Down.	
LEFT	Move to Left. When slide show is being played, move to the previous picture.	
RIGHT	Move to Right. When slide show is being played, move to the next picture.	
OK	Select menus or items.	
BACK	Move to the previous window.	
EXIT	Move to the outside of the current window.	

MCE Remote Controller



● Play Button

PLAY	Play a selected media.	
SKIP	Move to the next list in album or play list. For TV record menu, move to the moment 29 seconds later.	
REPLAY	For TV menu, move to the moment 5 seconds before and for album or play list, the previous list is played. For DVD menu, the previous chapter is played.	
STOP	Stop the media currently being played.	
PAUSE	temporarily stop the media currently being played.	
RECORD	Record TV programs.	
REW	Rewind the media currently being played.	
FWD	Forward the media currently being played.	

| Service Notice

Free after-sales service for hardware of the product is guaranteed for a year.
However, free-of-charge warranty does not applied to any breakage and defect caused by consumer's mistakes or force majeure.

Purchase in North America & South America

Service Center Telephone: 1-949-450-0105

Service Center Available Time: Monday ~ Friday 09:00~18:00

Saturday and public holiday are not available.

Technical Support E-mail: support@moneual.com

For purchase in China, Europe and other areas, contact your local agency.

Manufacturer: Moneual Inc.

611, Kolon Digital Tower Villant 2, 222-8, Guro-dong, Guro-gu, Seoul, Korea

TEL: 82-2-2081-2100